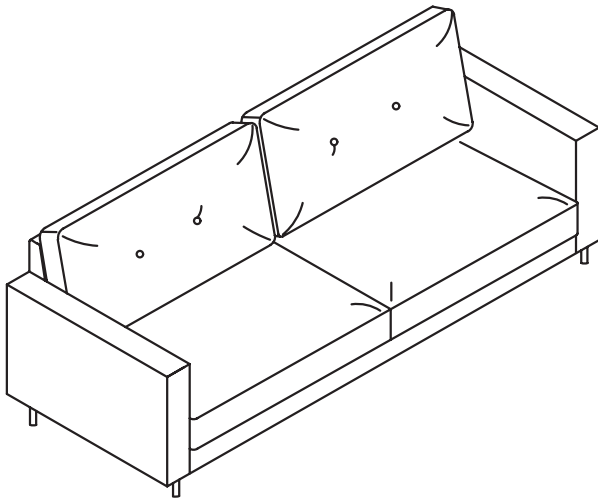





ASSEMBLY INSTRUCTIONS



ELEGANTE 2 SEAT SOFA

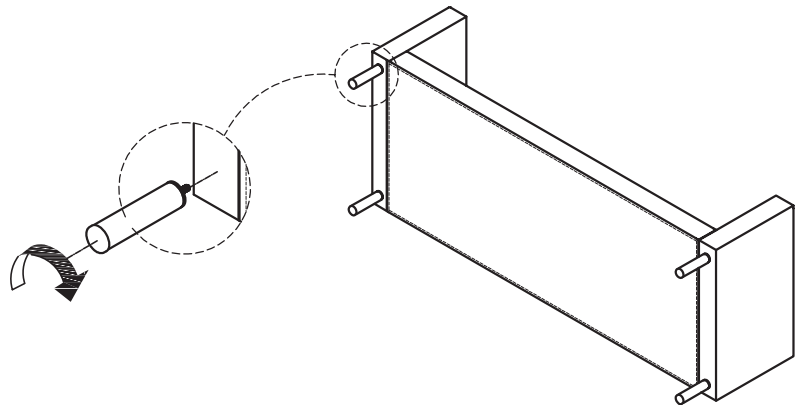
Thank you for purchasing this quality Canningvale sofa.

Please check all packing material carefully for small parts that may have come loose inside the carton during shipment.

Included Pieces		
A		
4 Feet		
		

Feet Installation

Lean sofa onto it's back. Using the supplied feet, rotate clockwise until securely attached to the sofa. (as pictured to the right)



Directions for use

After feet are installed, return the sofa to the upright position. Fold out back support (Figure 1 and 2 below), then raise the back cushion into place (Figure 3).

