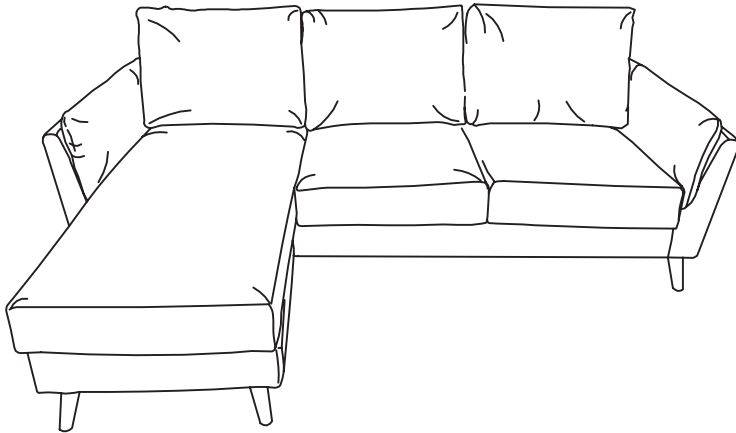







ASSEMBLY INSTRUCTIONS



RILASSATO 3 SEAT SOFA WITH OTTOMAN CHAISE

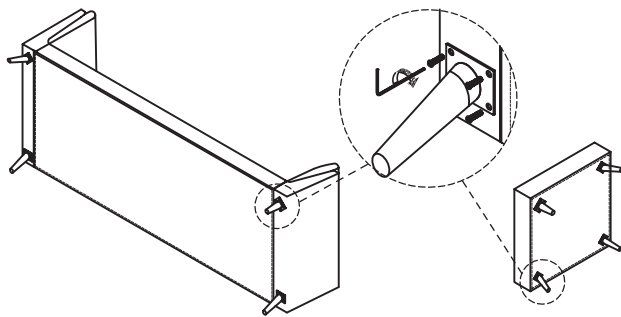
Thank you for purchasing this quality Canningvale sofa.

Please check all packing material carefully for small parts that may have come loose inside the carton during shipment.

Included Pieces		
A	B	C
8 Feet	32 Screws	1 Allen Key
		

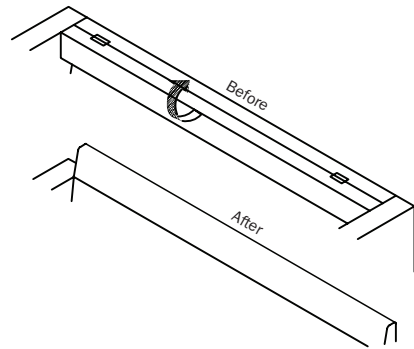
Feet Installation

Lean sofa onto its back. Use the supplied feet, screws and allen key to securely attach the feet to the sofa. (as pictured to the right)



Directions for use

After feet are installed, return the sofa to the upright position. Fold out back support, then add cushions to the sofa.



Arrange to suit your living space

