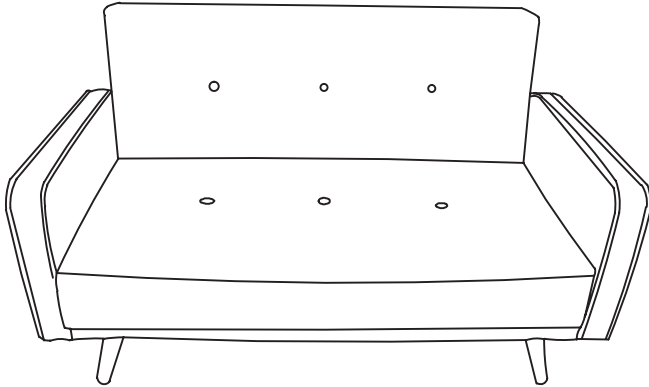




# ASSEMBLY INSTRUCTIONS

## URBANO 2 SEAT SOFA



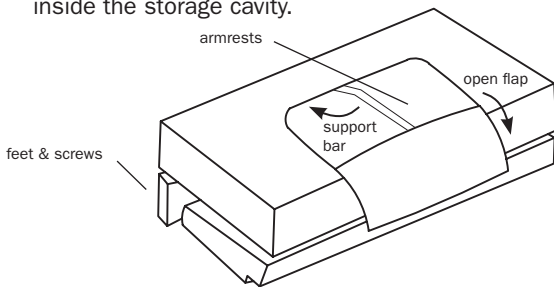
**Thank you for purchasing this quality Canningvale sofa.**

Please check all packing material carefully for small parts that may have come loose inside the carton during shipment.

| Included Pieces |           |             |
|-----------------|-----------|-------------|
| A               | B         | C           |
| 4 Feet          | 16 Screws | 1 Allen Key |
|                 |           |             |

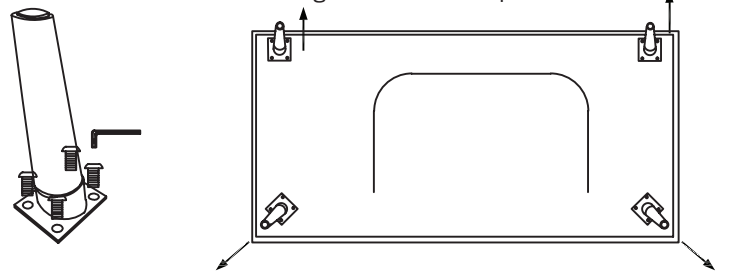
### Locating the feet and armrests

Lean sofa onto its back, and open the flap, and remove the armrests. Fold down the support bar inside the storage cavity.



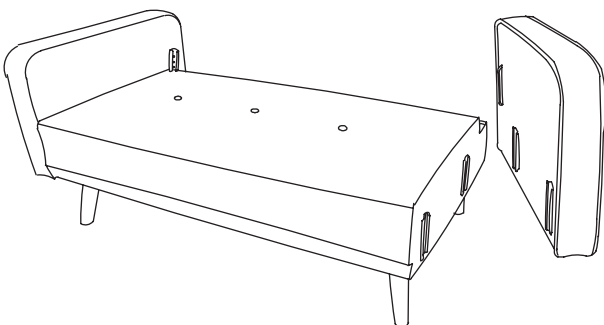
### Feet Installation

Attach feet to the underside of the sofa, turning the screws in a clockwise to securely attach the feet. Ensure the feet are angled outwards as pictured below.



### Installing the Armrests

After feet are installed, return the sofa to the upright position. Install the armrests by aligning the mounting brackets and sliding down.



### Installing the back support

After the arms are installed, install the back support by aligning with the mounting brackets on the armrests and sliding down.

