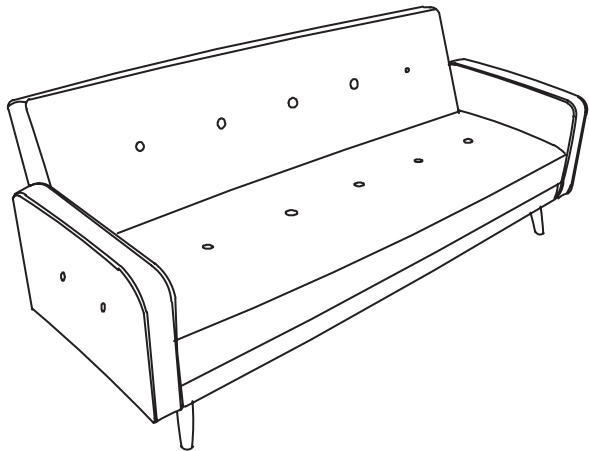




ASSEMBLY INSTRUCTIONS



URBANO 3 SEAT SOFA BED

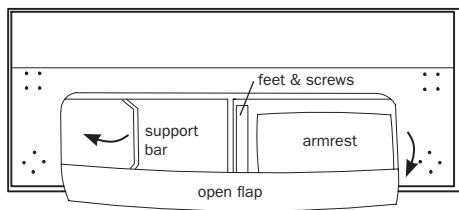
Thank you for purchasing this quality Canningvale sofa.

Please check all packing material carefully for small parts that may have come loose inside the carton during shipment.

Included Pieces		
A	B	C
4 Feet	16 Screws	1 Allen Key

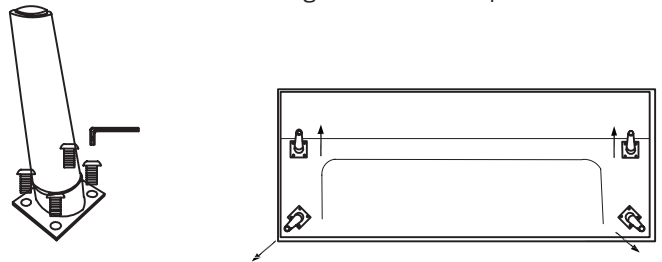
Locating the feet and armrests

Lean sofa onto its back, and open the flap. Remove the armrests and box containing the feet, screws and allen key. Fold down the support bars inside the storage cavity.



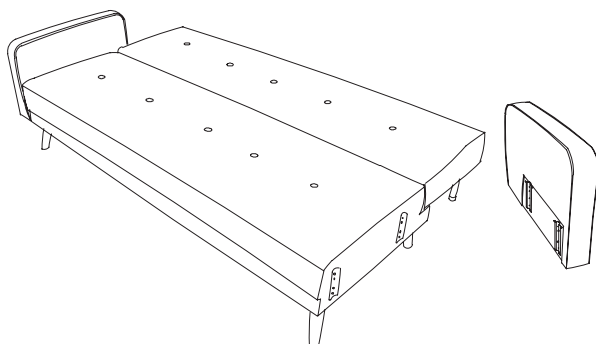
Feet Installation

Attach feet to the underside of the sofa, turning the screws in a clockwise to securely attach the feet. Ensure the feet are angled outwards as pictured below.



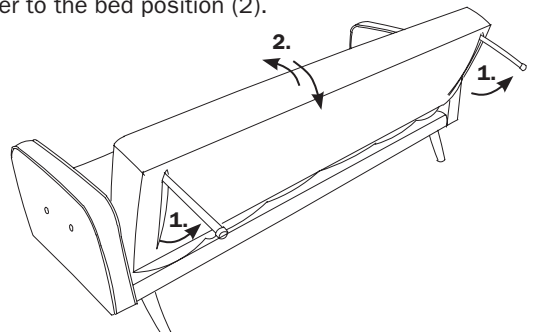
Installing the Armrests

After feet are installed, return the sofa to the upright position. Install the armrests by aligning the mounting brackets and sliding down.



Changing to the bed position

Fold out the support feet from the sofa back (1). After the feet are extended, tilt the sofa forward, then carefully lower to the bed position (2).



To return to the sofa position, raise the back until it locks in the upright position. Fold the supporting legs back into the sofa back.