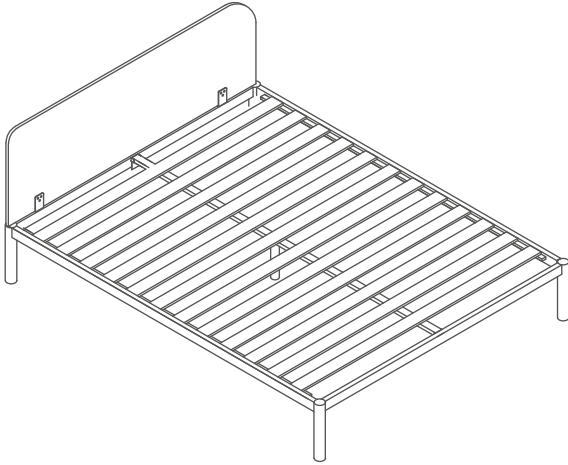





# ASSEMBLY INSTRUCTIONS

## SOGNI D'ORO MODERNO QUEEN BED FRAME

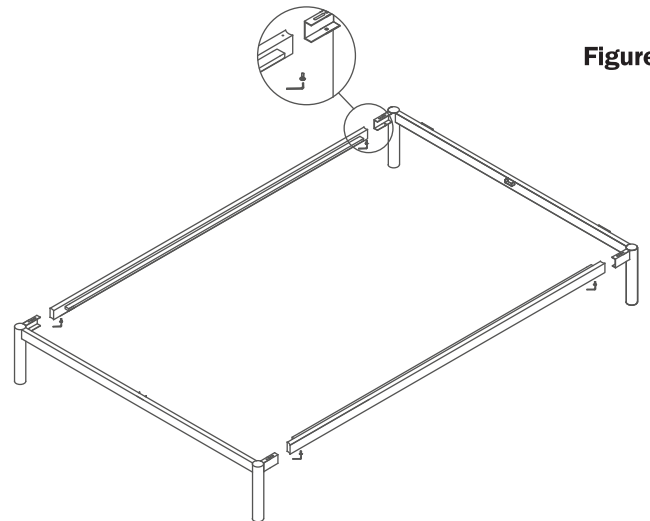


**Thank you for purchasing this quality Canningvale bed frame.**

Please check all packing material carefully for small parts that may have come loose inside the carton during shipment.

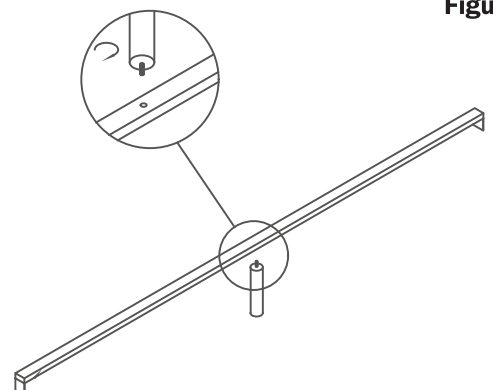
Included Pieces		
A	B	C
1 Leg	4 Screws	1 Allen Key
		

1. As per Figure 1 place the poles on the ground to create outline of the base. Slide the vertical pole into the slot at each end of the base and screw in place



**Figure 1**

2. Attach leg to centre of middle pole as per figure 2

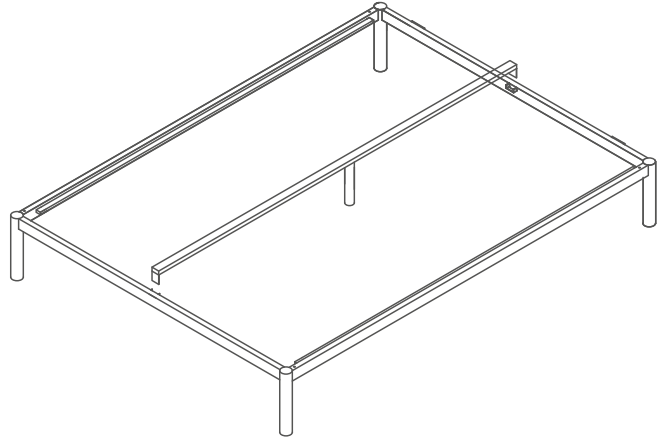


**Figure 2**

# ASSEMBLY INSTRUCTIONS

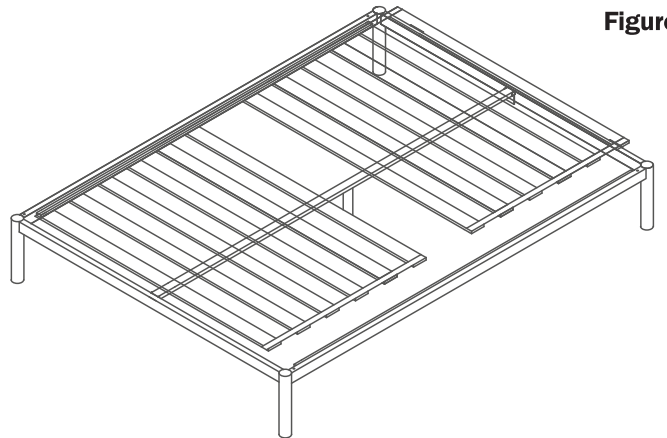
3. Slot the middle pole into the base of the bed frame as shown in figure 3

**Figure 3**



4. Lay the slats out on the frame and spread out evenly. Secure into place with screws at each corner.

**Figure 4**



5. Place the headboard in the provided slots

**Figure 5**

